

101

C O P E N H A G E N



Phantom Table, Tall - Burn Antique

Designed by

Kristian Sofus Hansen &
Tommy Hyldahl

Phantom Table, Tall - Burn Antique

Product Description

Characterized by its intentionally naive and handmade expression, the Phantom Table reveals its unique casting technique. The table appears at once fragile, delicate, and bulky in its form.

Styled individually, or combined -- with the low Phantom Table paired with the tall -- the hand-painted burned antique colour, with a raw and unpolished surface, emphasizes a warm subtle glow. Use it as a side table or coffee table to add a striking modern accent to the interior.

A sophisticated yet subtle character defines the Phantom Tables, making them a versatile choice for any interior.

Designer Description

Tommy Hyldahl and Kristian Sofus Hansen intertwine their distinct sensibilities to create designs where storytelling, materiality, and timeless form meet in quiet harmony.

With a background in fashion, Tommy brings an intuitive eye for trends, colors, and textures. His process is one of layering histories, blending details and references from past design periods and reimagining them into something fresh and contemporary. Each collection unfolds as a narrative, evolving from concept to creation, with every element contributing to a greater story.

Kristian, who has lived and studied in Japan, seeks to unite Japanese aesthetics with Danish design, creating a characteristic twist on simplicity itself. His work is defined by the search for subtle, original details that elevate each piece with a unique signature. Drawing inspiration from art and sculpture, his creative process unfolds in new and exciting ways, always striving to craft designs that are both functional and timeless.

Together, they craft design that transcends time, poetic yet practical, expressive yet enduring.



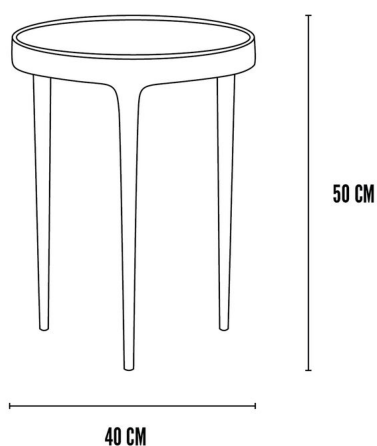
Phantom Table, Tall - Burn Antique

Main

SKU	111251	Product Family	Phantom
Product name	Phantom Table, Tall - Burn Antique	Color	Burn Antique
Product Type	Coffee Table	Size	Tall
		Unit	Piece

Logistics

EAN number	4251501401964	Package - CBM	0.101
Package height in cm	57.00	Package - Weight KG	7.450
Package width in cm	42.00	Tariff Code No	9403208000
Package length in cm	42.00	Country of origin	India
Suitable for Courier	Yes	Quantity of Inner Boxes	1



Phantom Table, Tall - Burn Antique

Product

Materials	Hand Painted Aluminium	Net weight in kg	6.25
Item Height in cm	50.00	Space Suitability	Indoor
Item width in cm	40.00	Strength Test	N/A
Item length in cm	40.00	FSC Wood	N/A

Upholstery

Fabric		Cigarette Test - CAL-117
Martindale	N/A	Cigarette Test - EN 1021-1
Colour Fastness to Light		Cigarette Test - BS5852 Part 1
Pilling		Match Flame Test - EN 1021-2
Oeko Tex		Ignition Source 5 (Crib 5) - BS 5852 Part 2
Fire Test Foam	N/A	NF P92-507 - Class M1

Phantom Table, Tall - Burn Antique

Family Description Text

The Phantom Series embodies a quiet tension between fragility and strength, delicacy and presence. Its intentionally naïve, handmade expression reveals the beauty of imperfection, capturing the fleeting poetry of form through a unique casting technique. Each piece feels sculptural yet understated, fragile in spirit yet monumental in its stance, a presence that lingers like a shadow, subtle but unforgettable.

The Phantom Table is a study in contrasts, at once raw and refined, ephemeral and enduring. Its surface carries the traces of craft, whispering of the hand that shaped it while reflecting the timeless dialogue between material and imagination. At the same time, it is an exploration of atmosphere, an object that inhabits a space with quiet strength, inviting reflection and reverie.

Versatile and iconic, the Phantom Table stands as a true celebration of material, craft, and form, resonating with a beauty that is both subtle and profound.

Color Description

Burned Antique is a deep, dark brown enriched with reddish undertones. Layered with subtle tonal variations, it recalls the warmth and character of aged patina. Rich and soulful, this colour carries a sense of history while remaining refined enough for contemporary settings.

Phantom Table, Tall - Burn Antique

Maintenance Guide Description

This hand-painted finish brings warmth and depth to aluminium, with tonal variations that recall the quiet character of patina. To preserve its soulful surface, dust regularly with a soft, dry cloth. For deeper cleaning, use a damp cloth with mild, pH-neutral soap, then dry immediately to prevent streaks or water marks.

Avoid abrasive pads, brushes, or harsh cleaners, as these can damage the hand-painted layers. Protect the finish by using coasters, mats, or felt pads where surfaces come into contact with objects, and wipe spills promptly to prevent staining. Keep the piece away from prolonged exposure to direct sunlight or excess humidity to ensure the painted surface retains its richness and depth.

With mindful care, the hand-painted aluminium finish will continue to embody its timeless, layered character for years to come.

Materials Description

This hand-painted finish brings warmth and age to aluminium. Layers of paint are carefully worked into the surface to create irregular tonal variations, recalling the quiet depth of patina. The result is a finish that feels soulful and timeless, as though touched by history, yet softened for a contemporary context.